

DATA SHEET

CR2032

ULTRAtech



Classification: Lithium "Coin"

Chemical System: Lithium/Manganese Dioxide (Li/MnO₂)

Designation: IEC-CR2032

Typical Voltage: 3 V

Typical Capacity: 240 mAh (Load: 15 K ohms, Discharge Type: Continuous, End Voltage: 2,0 V, 21°C)

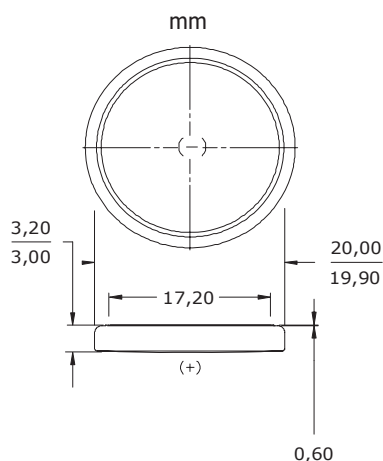
Operating Temperature: -20 °C to 60 °C

Typical Weight: 3,2 g

Typical Volume: 1 cm³

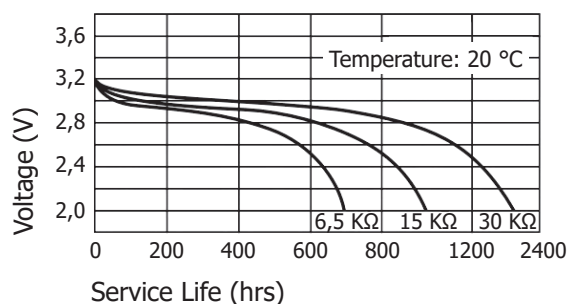
Shelf Life: 5 years

Dimensions:



Standard characteristics:

Discharge Characteristics



Temperature Characteristics

