

DATA SHEET

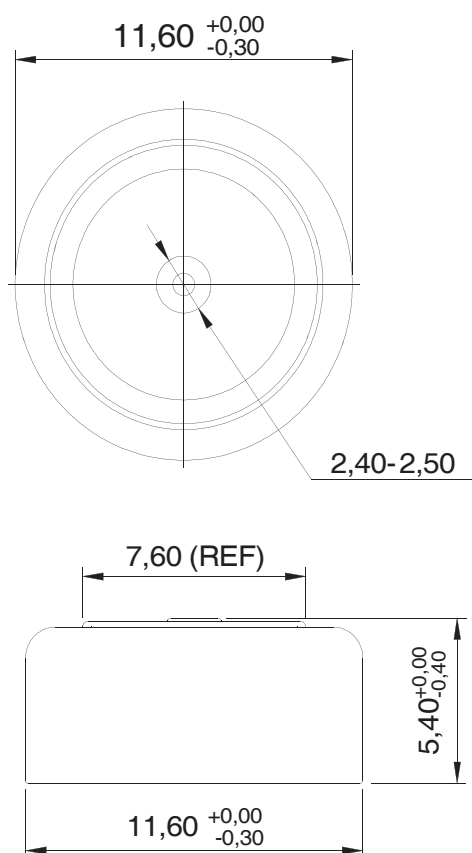
LR44

UltraTECH[®]



Classification: Micro Alkaline
 Chemical System: Zinc-Manganese Dioxide (Zn/MnO₂)
 Designation: IEC-LR44
 Nominal Voltage: 1,5 V
 Typical Capacity: 170mAh (Load: 5 k Ohms, Discharge Type: 24 h/d, End Voltage: 0,9 V, 20°C)
 Operating Temperature: -10 °C to 50 °C
 Typical Weight: 1,95 g
 Typical Volume: 0,57 cm³
 Shelf Life: 3 years

Dimensions (mm):



Capacities (after 12 months storage at 20°C):

Discharge Type	Load	End Voltage (V)	Time	Applications
24 h/day	5 Ω	0,9	≥ 550 h	Calculator, Toys
24 h/day	6,8 Ω	0,9	≥ 830 h	Watch