

DATA SHEET

LR20/D

UltraTECH[®]



Classification: Alkaline

Chemical System: Zinc-Manganese Dioxide (Zn/MnO₂)

Designation: IEC-LR20

Nominal Voltage: 1,5 V

Typical Capacity: 15.000 mAh (Load: 10 ohms, Discharge Type: 24 h/d, End Voltage: 0,8 V, 21°C)

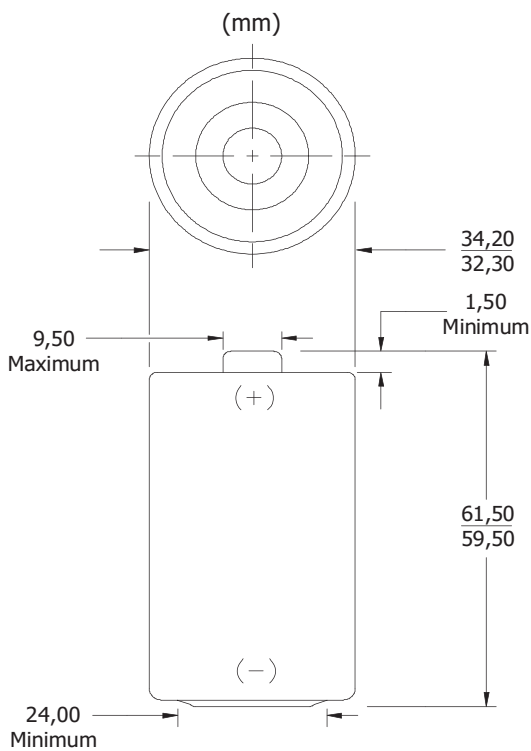
Operating Temperature: -10 °C to 50 °C

Typical Weight: 146 g

Typical Volume: 56 cm³

Shelf Life: 5 years

Dimensions:



Capacities (after 12 months storage at 21 °C)

Discharge Type	Load	End Voltage (V)	Time	Applications
4 min/0,25 h, 8 h/day	1,5 Ω	0,9	13,5 h	Portable lighting
4 min/h, 8 h/day	2,2 Ω	0,9	20,0 h	Portable lighting
1 h/day	2,2 Ω	0,8	23,0 h	Toys
4 h/day	10 Ω	0,9	112 h	Radio
2 h/day	600 mA	0,9	15,5 h	Portable stereo