

DATA SHEET

LR14/C

UltraTECH[®]



Classification: Alkaline

Chemical System: Zinc-Manganese Dioxide (Zn/MnO₂)

Designation: IEC-LR14

Nominal Voltage: 1,5 V

Typical Capacity: 7500 mAh (Load: 20 ohms, Discharge Type: 24 h/d, End Voltage: 0,8 V, 21°C)

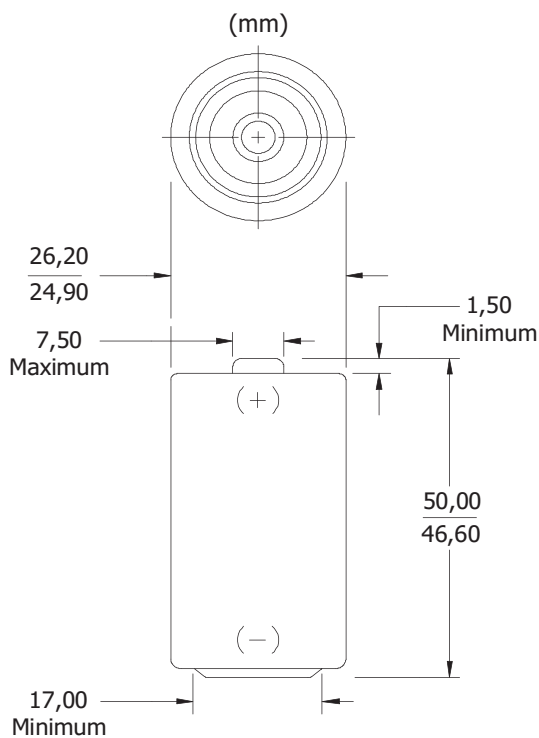
Operating Temperature: -10 °C to 50 °C

Typical Weight: 75 g

Typical Volume: 27 cm³

Shelf Life: 5 years

Dimensions:



Capacities (after 12 months storage at 21 °C)

Discharge Type	Load	End Voltage (V)	Time	Applications
2 h/day	400 mA	0.9	11,5 h	Portable stereo
4 min/h, 8 h/day	3,9 Ω	0.9	18,5 h	Portable lighting
1 h/day	3,9 Ω	0.8	20 h	Toys
4 h/day	20 Ω	0.9	111 h	Radio