

DATA SHEET

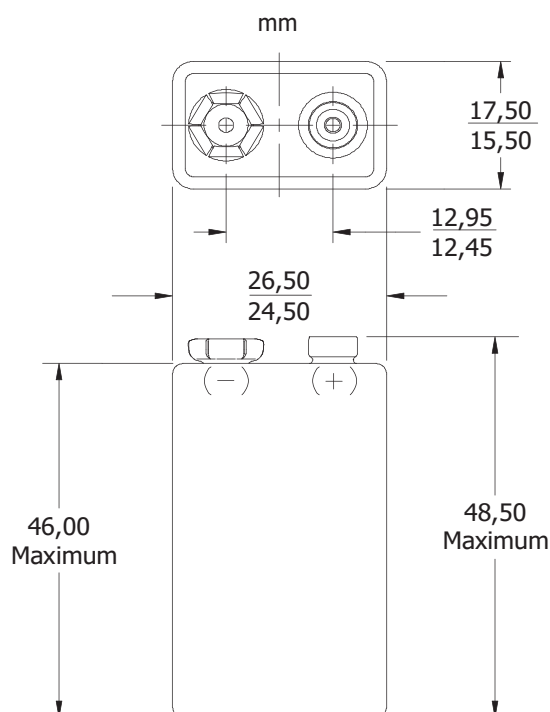
6LR61/9V

UltraTECH[®]



Classification: Alkaline
 Chemical System: Zinc-Manganese Dioxide (Zn/MnO₂)
 Designation: IEC-6LR61
 Nominal Voltage: 1,5 V
 Typical Capacity: 600 mAh (Load: 620 ohms, Discharge Type: 24 h/d, End Voltage: 4,8 V, 21°C)
 Operating Temperature: -10 °C to 50 °C
 Typical Weight: 44 g
 Typical Volume: 21 cm³
 Shelf Life: 5 years

Dimensions:



Capacities (after 12 months storage at 21 °C)

Discharge Type	Load	End Voltage (V)	Time	Applications
24 h/day, 1 s/h	10 kΩ, 620 Ω	7,5 V	20 day	Smoke detector
1 h/day	270 Ω	5,4 V	20 h	Toys
2 h/day	620 Ω	5,4 V	45 h	Clock radio